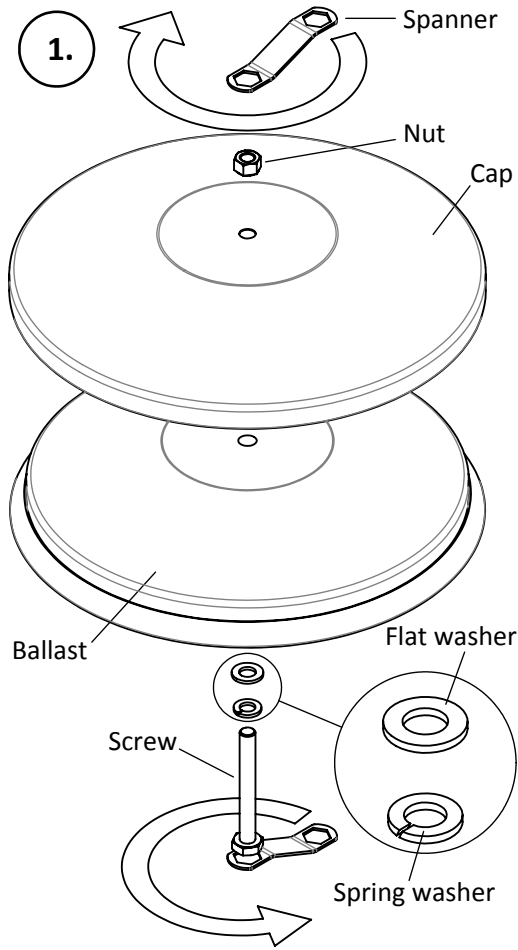


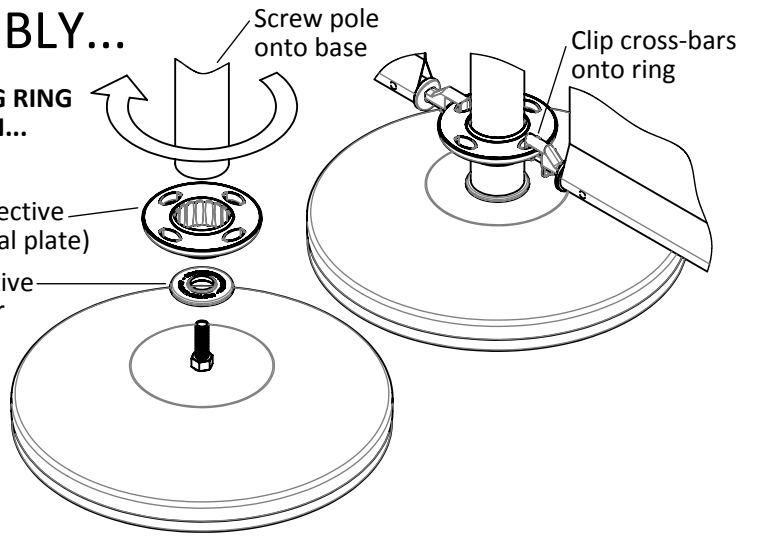
# ADFRESKO BASE & POLE ASSEMBLY...



**2a. SLIDING RING OPTION...**

Sliding Ring  
(Remove protective film from metal plate)

Protective Washer

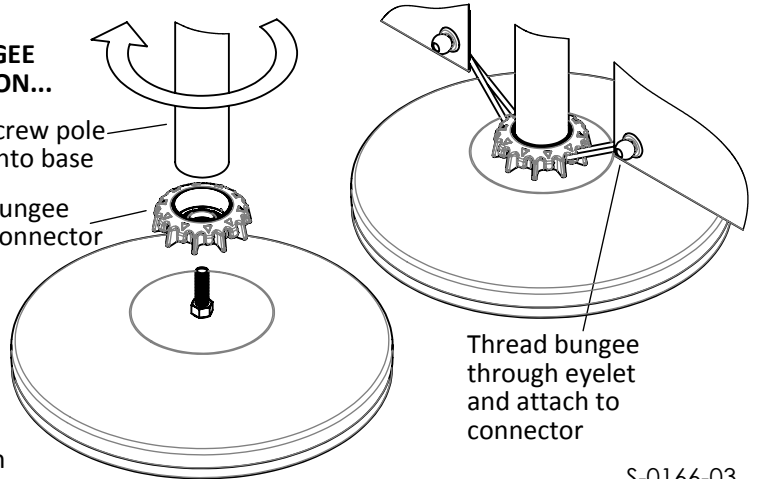


**2b. BUNGEE OPTION...**

**NOTE:**  
Protective washer not required with bungee option

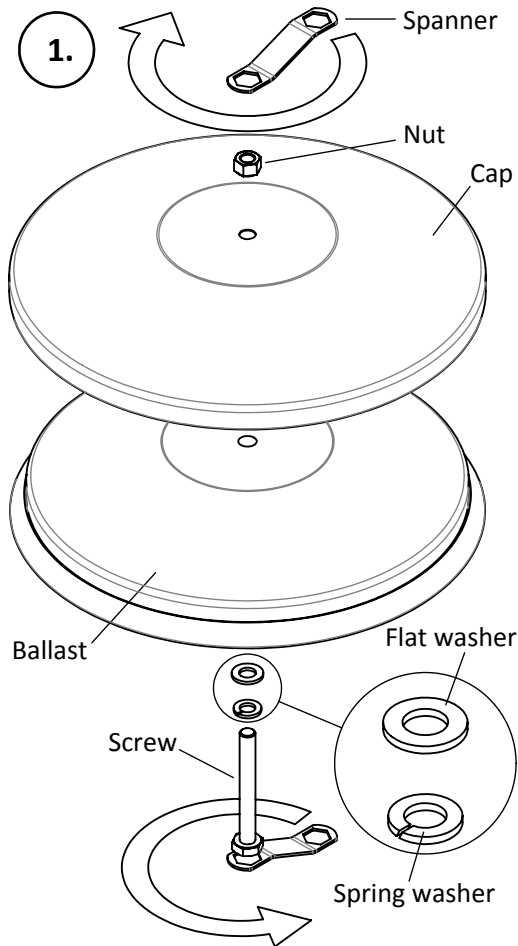
Screw pole onto base

Bungee Connector



S-0166-03

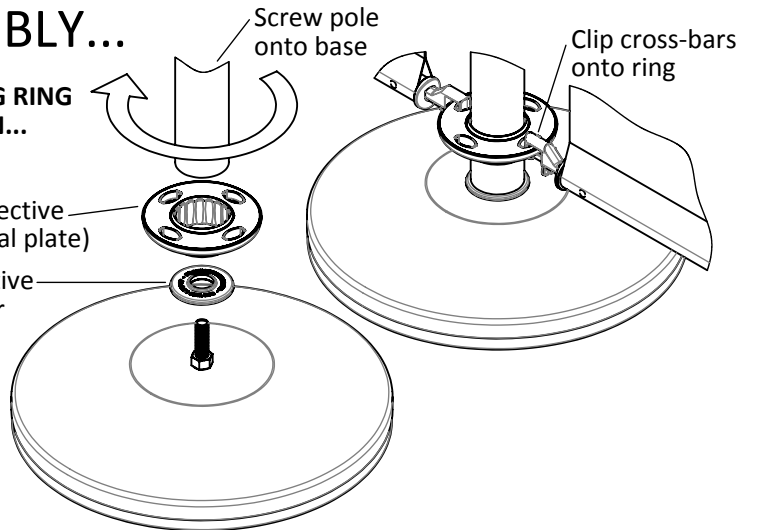
# ADFRESKO BASE & POLE ASSEMBLY...



**2a. SLIDING RING OPTION...**

Sliding Ring  
(Remove protective film from metal plate)

Protective Washer

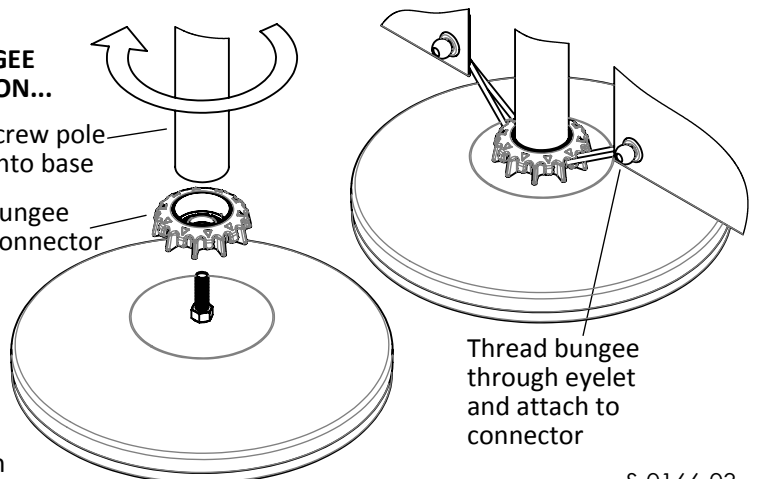


**2b. BUNGEE OPTION...**

**NOTE:**  
Protective washer not required with bungee option

Screw pole onto base

Bungee Connector



S-0166-03